

# Product data sheet

## Characteristics

# XB4RFA02

Harmony XB4, Wireless push button and configurable receiver with 10 colored caps, metal, Ø22, 24...240 V AC/DC

Product availability: Stock - Normally stocked in distribution facility

Price\*: 510.00 USD



### Main

Range of product	Harmony XB4R
Product or component type	Wireless and batteryless package
Device short name	XB4R
Head material	Metal
Transmission frequency	2405 MHz transmitter 2405 MHz receiver
Level or class	5M00G7W
Antenna type	Omnidirectional

### Complementary

Control type	Wireless and batteryless push-button Ø 22 mm assembled on fixing collar
Type of receiver	Programmable receiver 2 relays)
[Us] rated supply voltage	24...240 V AC/DC 50/60 Hz
Kit composition	1 0.87 in (22 mm) 1 push-button head 0.87 in (22 mm) 1 receiver 1 set of caps 1 fixing collars 1 transmitter
Status LED	1 LED green for power ON 2 LEDs green for relay ON 2 LEDs green for function mode 1 LED green and yellow for reception signal
Communication port protocol	Zigbee conforming to IEEE 802.15.4
Max power consumption in W	1 MW
Number of channels	1
Modulation technique	O-QPSK
Bandwidth	5 MHz
Antenna gain	0 DBi
Customizable	No
Compatibility code	XB4R
[Us] rated supply voltage	24...240 V

## Environment

Product certifications	GOST CCC CSA UL C-tick
Marking	CE
Standards	EN/IEC 60947-1 EN/IEC 60947-5-1 CSA C22.2 No 14 UL 508
Radio agreement	ANATEL FCC RSS ARIB T66 ICASA SRRC

## Ordering and shipping details

Category	22470 - XB5R WIRELESS PUSH BUTTON
Discount Schedule	I
GTIN	03606480436031
Nbr. of units in pkg.	1
Package weight(Lbs)	9.38 Oz (266 g)
Returnability	Yes
Country of origin	FR

## Packing Units

Unit Type of Package 1	PCE
Package 1 Height	3.62 In (9.2 cm)
Package 1 width	4.13 In (10.5 cm)
Package 1 Length	4.33 In (11 cm)

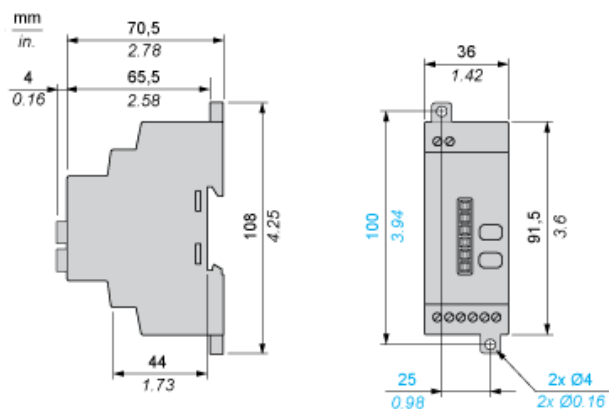
## Offer Sustainability

California proposition 65	WARNING: This product can expose you to chemicals including: Nickel compounds, which is known to the State of California to cause cancer, and Di-isodecyl phthalate (DIDP), which is known to the State of California to cause birth defects or other reproductive harm. For more information go to <a href="http://www.P65Warnings.ca.gov">www.P65Warnings.ca.gov</a>
REACH Regulation	<a href="#">REACH Declaration</a>
EU RoHS Directive	Pro-active compliance (Product out of EU RoHS legal scope) <a href="#">EU RoHS Declaration</a>
Mercury free	Yes
RoHS exemption information	<a href="#">Yes</a>
China RoHS Regulation	<a href="#">China RoHS Declaration</a>
WEEE	The product must be disposed on European Union markets following specific waste collection and never end up in rubbish bins.

## Contractual warranty

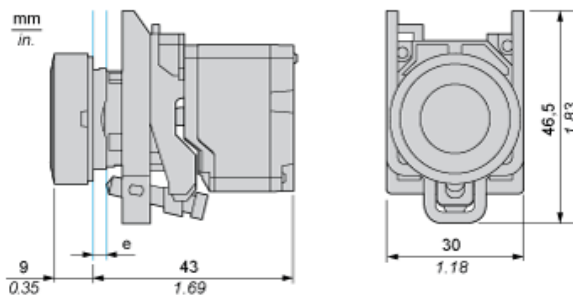
Warranty	18 months
----------	-----------

Programmable Receiver



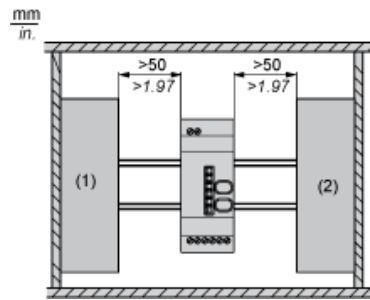
Wireless and Batteryless Pushbutton - Transmitter

With Metal Pushbutton without Cap



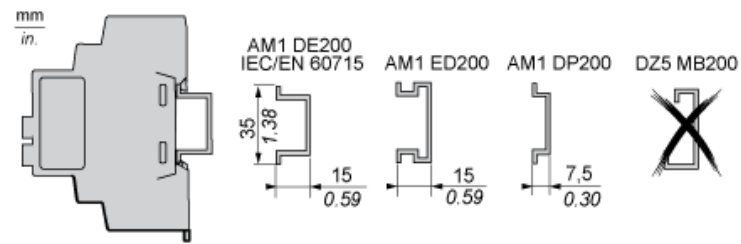
e: panel thickness 1 to 6 mm / 0.039 to 0.24 in.

Receiver Clearance

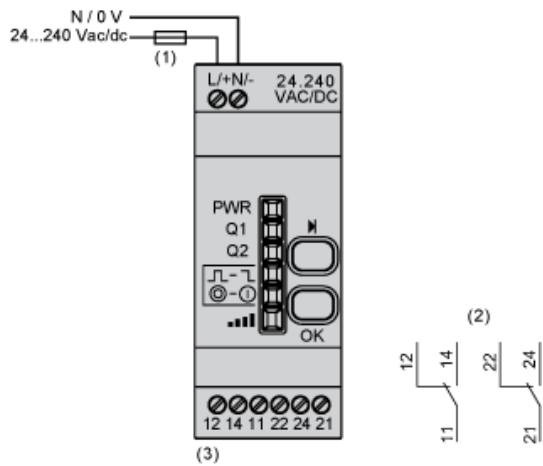


- (1) Drive
- (2) Power Supply or PLC

Receiver Mounting



Programmable Receiver



- (1) 500 mA
- (2) Output contacts
- (3)  $I_{max} = 3 \text{ A}$

Product Life Status : **Commercialised**